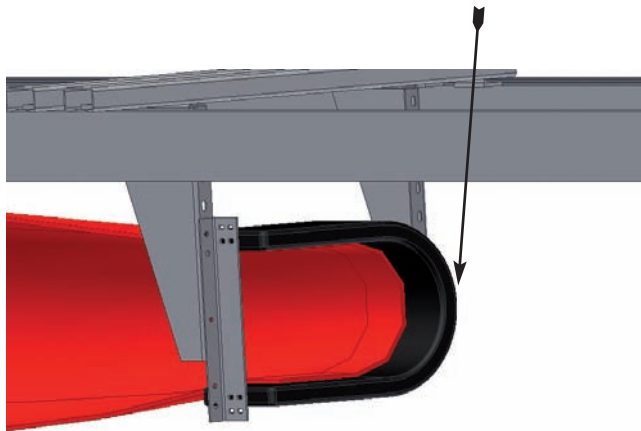




# SPAR 3

Turnover U made from Polyspar



## Belt turnover system

The SPAR 3 is a highly effective belt turning system that prevents clogging on return idlers and accumulation of dirt underneath belt conveyors.

It can be installed on almost any type of belt conveyor 40 meters or longer, with no need for special modifications.

### Product Features:

- ◆ Antifouling system eliminates the need for cleaning operations under the return idlers.
- ◆ Precision self-tracking mechanism prevents the belt from wandering, making belt alignment operations unnecessary.
- ◆ Belt twist process maintains the drive side of the belt clean and dry, improving the belt's grip on the driving pulley.
- ◆ Available for belts measuring from 500 mm to 1200 mm.

The SPAR 3 keeps the return idlers clean, eliminates clogging and extends equipment life.

Installing the SPAR 3 limits the need for interventions by personnel near the conveyor, thus reducing the risk of accidents.

On stacking conveyors, the SPAR 3 prevents contamination of stockpiles under the conveyor.

SPAR 3 can be used with almost any type of belt conveyor and is approved by leading belt manufacturers.

To date, thousands of the SPAR 3 units have been put into operation around the world.



**R. BRUNONE**

conveyor optimization and safety

1, rue de la Cressonnière  
BP 3353 - 27950 Saint-Marcel, France  
Phone: +33 (0)2 32 64 20 20  
Fax: +33 (0)2 32 64 20 11  
E-mail: brunone@brunone.fr  
Site: www.brunone.net